

TONISCO[®] B30

DN40 (1 1/2") - DN200 (8") Hot tapplings



GAS

Description

The lightweight and robust TONISCO B30 Hot Tap Machine Set is designed for making connections to Gas & Oil pipelines, tanks, and plant piping.

By using the TONISCO B30 Hot Tap Machine Set it is possible to make new connections from DN40 (1 1/2") - DN200 (8"). All the connections can be made without stopping the flow in the main up to 60 bars (900PSI).

The TONISCO B30 Hot Tap Machine is versatile and easy to operate. With suitable adapters TONISCO B30 can be used for flanged, threaded, or weldable connections.

All TONISCO B30 Hot Tap Machines provide an effective and ecological way of making connections to mains for repairs, relocations, or additions.

Features

The TONISCO B30 Hot Tap Machine can be used in max. 200°C (390°F) and in pressure up to 60 bar (900PSI). This TONISCO B30 Hot Tap Machine Set is equipped with a pneumatic drive unit and flanged adapters.

TONISCO B30 Hot Tap Machine weighs 15,5kg and it can be operated by one person. TONISCO B30 Hot Tap Machine can be used with a wide range of hole saws, pilot drills, and adapters to fit all main materials and substances.

By using TONISCO B30 Hot Tap Machine it is possible to make pipeline alterations without shutdowns.





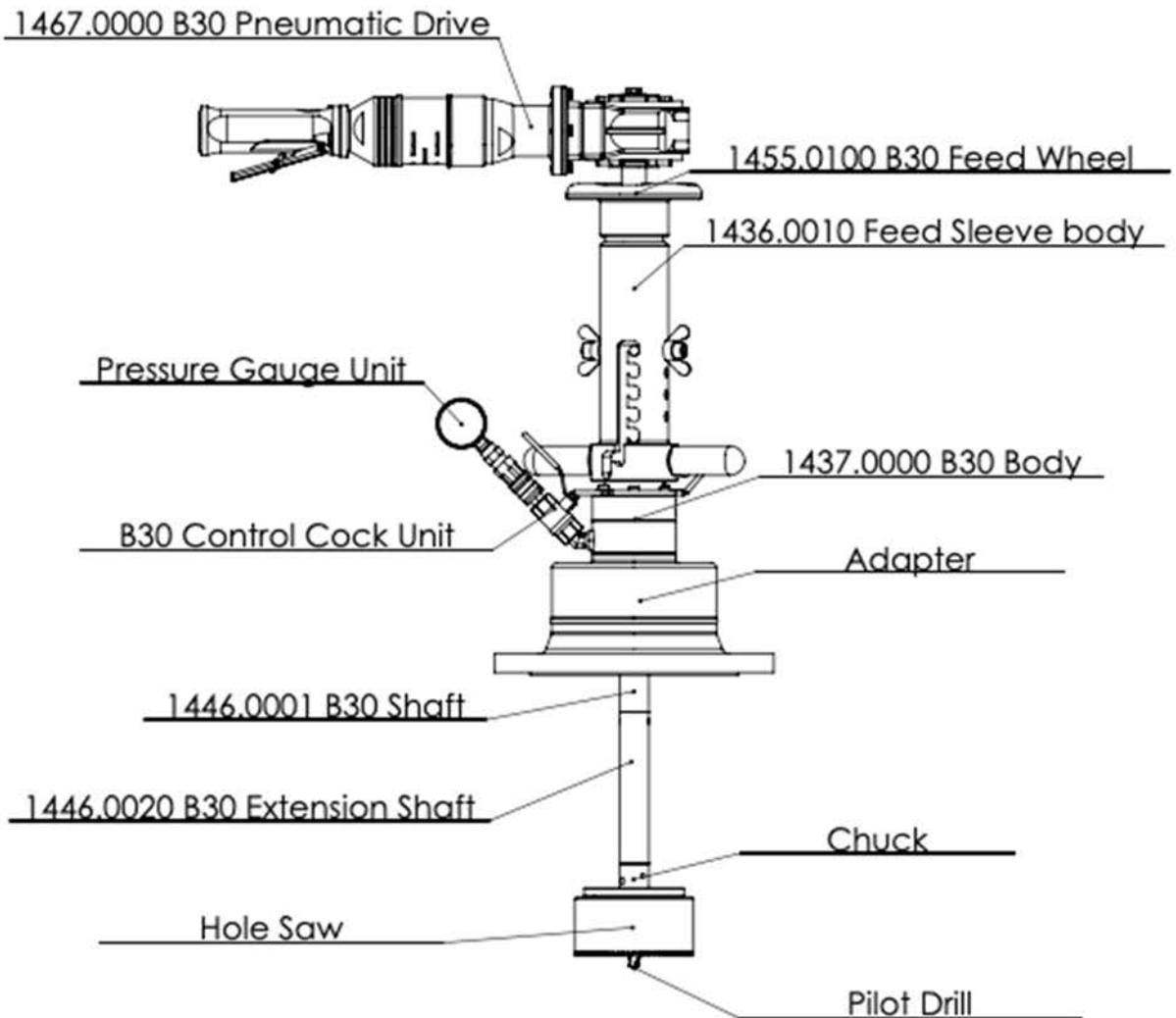
TONISCO B30 HOT TAPPING SYSTEM SPECIFICATIONS



Technical Specifications

| | |
|------------------------------|---|
| Hot Tapping Range | DN40-DN200 (1 ½" – 8") |
| Drive Unit Options | <ul style="list-style-type: none"> • Electric 220-240v / 50-60 Hz 1300W • Pneumatic 6-7bar / 1500 l/min • Hydraulic 15-30l/min 140 bar • Manual |
| Body Material | S355J2 (Hardened) |
| Feed Unit Material | S355J2 |
| Sealings | EPDM (NBR & VITON) |
| Testing | Pressure test and construction inspection |
| Pressure Test | 60bar (90bar with high pressure model) |
| Max. Operational Pressure | 40bar (60bar with high pressure model) |
| Max. Operational Temperature | -40°C to +100°C |

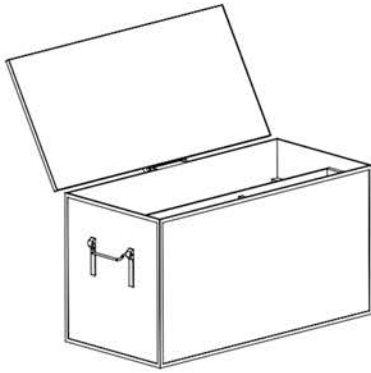
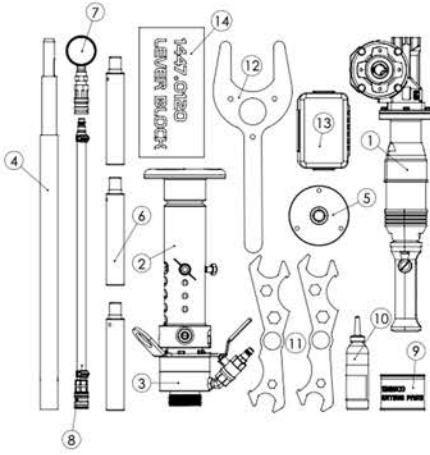
TONISCO B30 HOT TAP MACHINE - TYPICAL SET UP



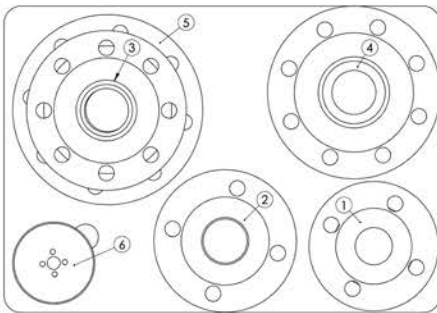


TONISCO B30 – FL – SET (ANSI300)

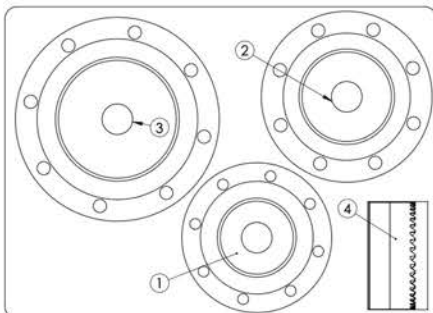
DN40 (1 1/2") - DN200 (8") Hot tapings



| Item | Product Name | Item no. | Qty | |
|------------------------------------|--|----------------------------------|--------------|---|
| Drive Unit | 1. Pneumatic Drive B30 Complete | 1467.0000 | 1 | |
| Base Unit | 2. Feed Device B30, Complete | 1455.0000G | 1 | |
| | 3. Body B30, complete | 1437.0000G | 1 | |
| | 4. Base Shaft B30 | 1446.0001 | 1 | |
| Shaft and Accessories | Gear Fastening Screw | 1446.0070 | 1 | |
| | Shaft Extension Socket | 1446.0080 | 1 | |
| | Chuck for Hole-Saws < 102 mm | 1446.0030 | 1 | |
| | 5. Chuck for Hole-saws > 102 mm Magnet for Jr./B30 | 1446.0040 | 1 | |
| | Washer | 1213.0240 | 1 | |
| | 1446.0090 | 1 | 1 | |
| | 6. Shaft extension B30 | 1446.0020 | 3 | |
| | Pressure Monitoring | 7. Pressure Monitoring Set 40bar | 1273.0013 | 1 |
| | 8. Pressure Relief Hose W. | 1264.0210 | 1 | |
| | Center Drills | Pilot Drill B30-HSS Long (120mm) | 1446.0050M19 | 2 |
| Pilot Drill B30-HSS Normal (100mm) | | 1446.0060M19 | 2 | |
| Consumables | 9. Tonisco Cutting Paste | 1289.0010 | 1 | |
| | 10. Tonisco Sealant Lubricant | 1269.0010 | 1 | |
| Operating tools | 11. Tonisco Wrench B30 | 1450.0170 | 2 | |
| | Allen key 3mm | 1250.0010 | 1 | |
| | Allen key 4mm | 1213.0110 | 1 | |
| | Allen key 5mm | 1250.0020 | 1 | |
| | Shaft Opening Pin Jr./B30 | 1213.0040 | 5 | |
| | 12. Accessory Box B30 | 1274.0010 | 1 | |
| | 13. Shaft Brake B30 | 1447.0120 | 1 | |
| | Magnet > 45mm | 1213.0241 | 1 | |
| | Socket Wrench 1/4" | 1450.0041 | 1 | |
| | Socket 13mm 1/4" | 1450.0043 | 1 | |
| | Extension 1/4" | 1450.0042 | 1 | |



| Item | Product Name | Item no. | Qty |
|---------------------|-----------------------------|---------------|-----|
| Connecting Adapters | 1. Adapter 1 1/2" ANSI #300 | 1239.0400A300 | 1 |
| | 2. Adapter 2" ANSI #300 | 1239.0500A300 | 1 |
| | 3. Adapter 2 1/2" ANSI #300 | 1239.0650A300 | 1 |
| | 4. Adapter 3" ANSI #300 | 1239.0800A300 | 1 |
| | 5. Adapter 4" ANSI #300 | 1239.1000A300 | 1 |
| Hole Saws | 6. HSS-BiMetal Hole Saws | | |
| | Hole Saw HSS Jr. 38 mm | 1219.0380 | 2 |
| | Hole Saw HSS Jr. 44 mm | 1219.0440 | 2 |
| | Hole Saw HSS Jr. 57 mm | 1219.0570 | 2 |
| | Hole Saw HSS Jr. 76 mm | 1219.0760 | 2 |



| | | | |
|-------------------------|--------------------------|---------------|---|
| Connecting Adapters | 1. Adapter 5" ANSI #300 | 1439.1250A300 | 1 |
| | 2. Adapter 6" ANSI #300 | 1439.1500A300 | 1 |
| | 3. Adapter 8" ANSI #300 | 1439.2000A300 | 1 |
| Hole Saws | 4. HSS-BiMetal Hole Saws | | |
| | Hole Saw HSS B30 121 mm | 1619.1210 | 2 |
| | Hole Saw HSS B30 140 mm | 1619.1400 | 2 |
| Hole Saw HSS B30 180 mm | 1619.1800 | 2 | |