



# **BALLOMAX<sup>®</sup>**

DESIGNED TO LAST



**SECTION 12**

**Hot tap valve**

**Reduced bore**

# Hot tap valve - DN15-100, PN25

Type 68102 - Reduced bore

### Welding × Welding

Fully welded steel ball valve.

### Materials

See next page.

### Applications

Hot tap valve for heating systems, district heating, cooling and industrial purpose.

### Media

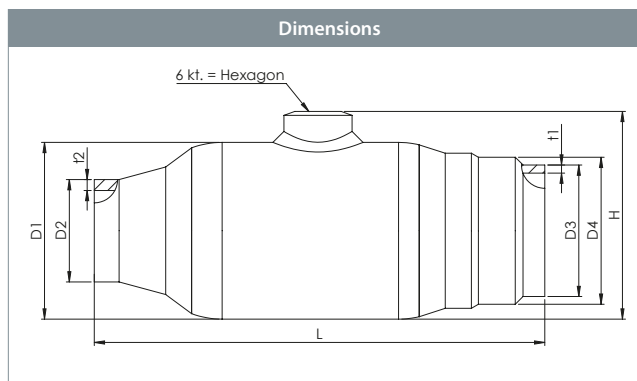
Water. Not suitable for steam. Other media on request. If in doubt, please contact BROEN Ballomax® Sales Department.

### Operation

Hot tap valve with a cap screw and a hexagon recess for inserting an Allen key. The spindle has a notch for indication of position.

### Notice

It is recommended that you read the "User manual for Ballomax® hot tap tool".



| DN  | BROEN No.    | Bore | Kvs | net Weight kg | All dimensions in mm |            |          |     |     |     |     |      |    |       |         |
|-----|--------------|------|-----|---------------|----------------------|------------|----------|-----|-----|-----|-----|------|----|-------|---------|
|     |              |      |     |               | Hex.                 | Drill size | Rec. RPM | L   | H   | t1  | t2  | D1   | D2 | D3    | D4      |
| 15  | 68102015 000 | 15   | 8   | 0.6           | 5                    | 14         | 400      | 127 | 53  | 2.0 | 3.5 | 42.4 | 23 | 21.3  | G 7/8   |
| 20  | 68102020 000 | 15   | 15  | 0.6           | 5                    | 14         | 400      | 127 | 53  | 2.3 | 3.5 | 42.4 | 23 | 26.9  | G 7/8   |
| 25  | 68102025 000 | 20   | 27  | 0.9           | 5                    | 19         | 300      | 143 | 63  | 2.6 | 3.5 | 51.0 | 28 | 33.7  | G 1 1/8 |
| 32  | 68102032 000 | 25   | 40  | 1.2           | 5                    | 24         | 300      | 145 | 68  | 2.6 | 3.5 | 57.0 | 33 | 42.4  | G 1 1/2 |
| 40  | 68102040 000 | 32   | 69  | 1.8           | 7                    | 30         | 250      | 178 | 96  | 2.6 | 4.0 | 76.1 | 42 | 48.3  | G 1 3/4 |
| 50  | 68102050 000 | 39   | 110 | 3.2           | 7                    | 37         | 200      | 198 | 107 | 2.9 | 5.0 | 88.9 | 52 | 60.3  | G 2 1/4 |
| 65  | 68102065 000 | 49   | 180 | 3.8           | 8                    | 48         | 200      | 205 | 118 | 2.9 | 7.5 | 108  | 64 | 76.1  | M 64×2  |
| 80  | 68102080 000 | 63   | 288 | 5.2           | 8                    | 60         | 150      | 200 | 137 | 3.2 | 8.0 | 127  | 80 | 88.9  | M 76×2  |
| 100 | 68102100 000 | 78   | 470 | 9.3           | 10/12*               | 76         | 125      | 225 | 163 | 3.6 | 9.0 | 152  | 97 | 114.3 | M 95×2  |

\* 10 mm hex. key to operate pipe plug, 12 mm key to operate valve.

## Hot tap valve - DN15-100, PN25

Type 68102 - Reduced bore

| Technical drawing |    | Material description |  |
|-------------------|----|----------------------|--|
|                   | 1  | Welding              | Steel - P235GH / 1.0345 / EN 10217-2             |
|                   | 5  | Valve body           | Steel - P235GH / 1.0345 / EN 10217-2             |
|                   | 6  | Ball                 | Stainless steel - AISI304L / 1.4306 / EN 10217-7 |
|                   | 7  | Seat ring            | PTFE 20% Carbon                                  |
|                   | 8  | Back-up ring         | Steel - DC01 / 1.0330 / EN 10130                 |
|                   | 9  | Disc spring          | Steel - C75S / 1.1248 / EN 10132-4               |
|                   | 10 | Neck ring            | Steel - S355J2+N / 1.0570 / EN 10025-2           |
|                   | 11 | Stem guide           | Steel - S355J2+N / 1.0570 / EN 10025-2           |
|                   | 12 | Stem                 | Stainless steel - ASTM420 / 1.4021 / EN 10088-3  |
|                   | 17 | O-ring               | Rubber - FPM70                                   |
|                   | 37 | Pipe plug            | Steel - 11SMnPb30 / 1.0718 / EN 10277-3          |