

TONISCO[®] B40

DN100 (4") - DN500 (20") Hot tapplings



GAS

Description

The lightweight and robust TONISCO B40 Hot Tap Machine Set is designed for making connections to Gas & Oil pipelines, tanks, and plant piping.

By using the TONISCO B40 Hot Tap Machine Set it is possible to make new connections from DN100 (4") - DN500 (20"). All the connections can be made without stopping the flow in the main up to 40 bars (580PSI).

The TONISCO B40 Hot Tap Machine is versatile and easy to operate. With suitable adapters TONISCO B40 can be used for flanged, threaded, or weldable connections.

All TONISCO B40 Hot Tap Machines provide an effective and ecological way of making connections to mains for repairs, relocations, or additions.

Features

The TONISCO B40 Hot Tap Machine can be used in max. 200°C (390°F) and in pressure up to 40 bar (580PSI). This TONISCO B40 Hot Tap Machine Set is equipped with a hydraulic drive unit and flanged adapters.

TONISCO B40 Hot Tap Machine weighs 25,5kg and it can be operated by two people. TONISCO B40 Hot Tap Machine can be used with a wide range of hole saws, pilot drills, and adapters to fit all main materials and substances.

By using TONISCO B40 Hot Tap Machine it is possible to make pipeline alterations without shutdowns.



TONISCO® B40

Hot tapping machine



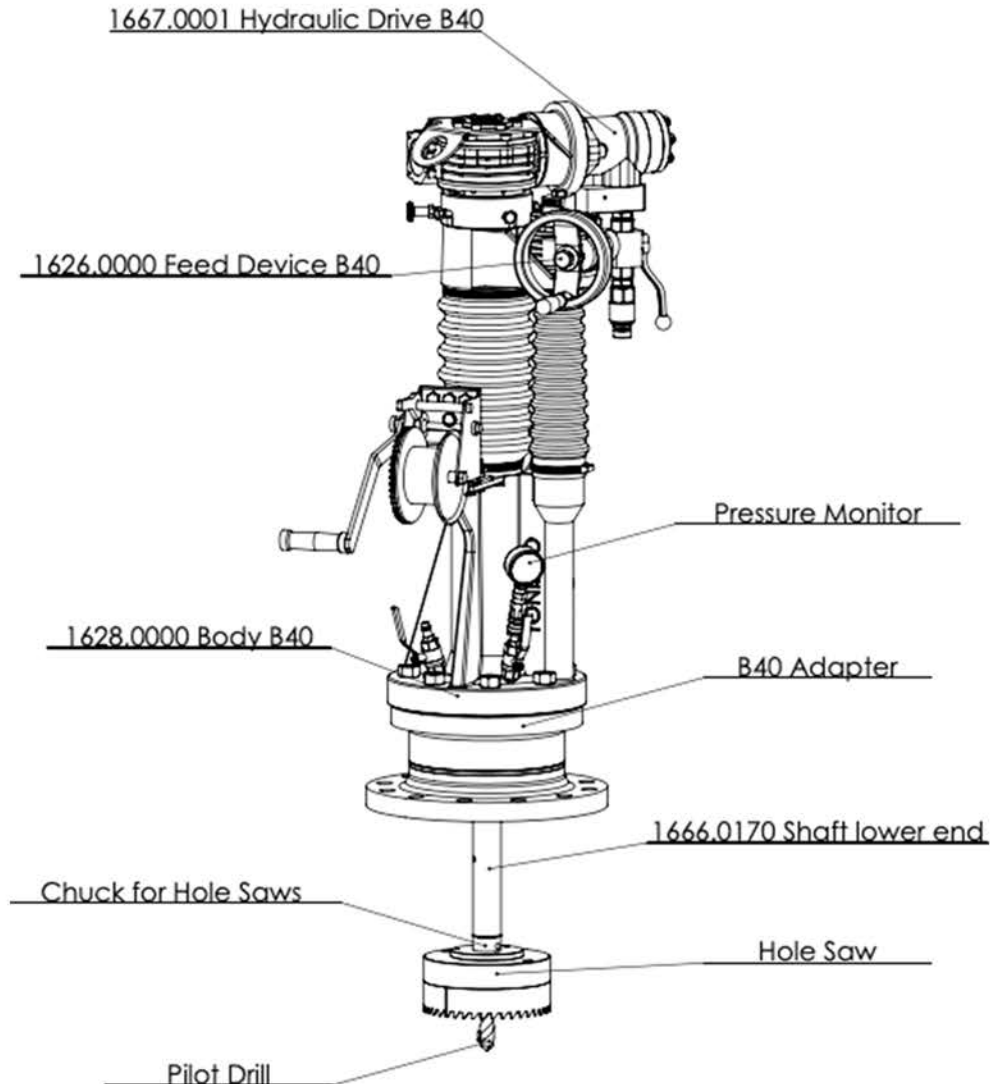
TONISCO B40 HOT TAPPING SYSTEM SPECIFICATIONS



Technical Specifications

| | |
|------------------------------|--|
| Hot Tapping Range | DN100-DN500 (4" – 20") |
| Drive Unit Options | <ul style="list-style-type: none">• Electric 220-230v / 50-60 Hz 1700W• Pneumatic 6-8bar / 1800l/min• Hydraulic 30-50l/min 140bar• Manual |
| Body Material | AISI10Mg |
| Feed Unit Material | AISI10Mg |
| Sealings | EPDM (VITON) |
| Testing | Pressure test and construction inspection |
| Pressure Test | 37bar (60 bar with high pressure model) |
| Max. Operational Pressure | 25bar (40 bar with high pressure model) |
| Max. Operational Temperature | +160°C (+200°C with Viton sealings) |

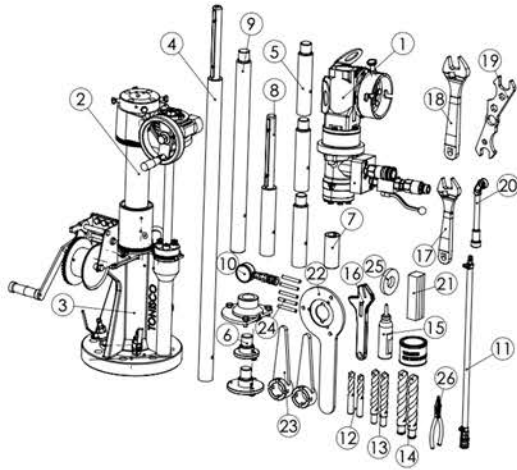
TONISCO B40 HOT TAP MACHINE - TYPICAL SET UP



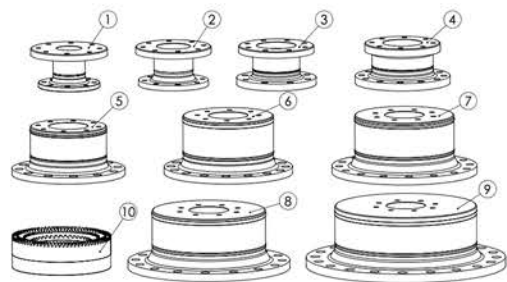


TONISCO B40 – FL – SET (PN16)

DN100 (4") - DN500 (20") Hot tapings



| Item | Product Name | Item no. | Qty | |
|-----------------------------------|-----------------------------------|-------------------------------|-----------|---|
| Drive Unit | 1. Hydraulic Drive B40 Complete | 1667.0001 | 1 | |
| Base Unit | 2. Feed Device B40, Complete | 1626.0000G | 1 | |
| | 3. Body B40, complete | 1628.0000G | 1 | |
| Shaft and Accessories | 4. Base shaft 710/930 mm | 1666.0010 | 1 | |
| | 5. Shaft extension B40 180 mm | 1666.0050 | 3 | |
| | Shaft screw, normal | 1666.0030 | 1 | |
| | Shaft washer B40 | 1666.0040 | 1 | |
| | 6. Chuck < 110 mm | 1666.0080 | 1 | |
| | 6. Chuck > 110 mm | 1666.0070 | 1 | |
| | 7. Shaft adjusting socket, normal | 1666.0130 | 1 | |
| | 8. Shaft upper end complete | 1666.0160 | 1 | |
| | 9. Shaft lower end | 1666.0170 | 1 | |
| | 6. Chuck > 275 mm | 1666.0200 | 1 | |
| | Pressure Monitoring | 10. Pressure Monitor Set | 1273.0000 | 1 |
| | | 11. Pressure Relief Hose W. | 1264.0210 | 1 |
| | Center Drills | 12. HSS Pilot drill Ø16mm | 1666.0100 | 2 |
| | | 13. HSS Pilot drill Ø20mm | 1666.0110 | 2 |
| 14. Central Drill 25mm | | 1666.0106 | 2 | |
| Retainer ring (Pilot drill 25 mm) | | 1666.0109 | 1 | |
| Consumables | | 15. Tonisco Sealant Lubricant | 1269.0010 | 1 |
| Operating tools | 16. Adjusting wrench | 1200.2106 | 1 | |
| | 17. Wrench 30 mm | 1450.0070 | 2 | |
| | 18. Wrench 36 mm | 1650.0360 | 2 | |
| | 19. Tonisco Wrench B30 | 1450.0170 | 1 | |
| | 20. Pipe wrench 13 mm | 1450.0050 | 1 | |
| | 21. Allen key set 2,5-10 mm | 1250.0080 | 1 | |
| | 22. Chuck Opener B40 | 1650.0020 | 1 | |
| | 23. Shaft Opener B40 | 1650.0030 | 2 | |
| | 24. Shaft opening pin B40 | 1650.0040 | 5 | |
| | 25. Magnet > 75 mm | 1213.0242 | 1 | |
| | 26. Seeger Pliers | 1650.0050 | 1 | |



| Item | Product Name | Item no. | Qty |
|--|-------------------------------|-----------|-----|
| Connecting Adapters According to: DIN EN 1902-1 PN16 | Adapter DN100 (PN16) DIN 2526 | 1641.1000 | 1 |
| | Adapter DN125 (PN16) DIN 2526 | 1641.1250 | 1 |
| | Adapter DN150 (PN16) DIN 2526 | 1641.1500 | 1 |
| | Adapter DN200 (PN16) DIN 2526 | 1641.2000 | 1 |
| | Adapter DN250 (PN16) DIN 2526 | 1641.2500 | 1 |
| | Adapter DN300 (PN16) DIN 2526 | 1641.3000 | 1 |
| | Adapter DN350 (PN16) DIN 2526 | 1641.3500 | 1 |
| | Adapter DN400 (PN16) DIN 2526 | 1641.4000 | 1 |
| Adapter DN500 (PN16) DIN 2526 | 1641.5000 | 1 | |
| HSS-BiMetal Hole Saws | H-saw HSS 95 mm / B40 | 1619.0950 | 2 |
| | H-saw HSS 121 mm / B40 | 1619.1210 | 2 |
| | H-saw HSS 140 mm / B40 | 1619.1400 | 2 |
| | H-saw HSS 180 mm / B40 | 1619.1800 | 2 |
| | H-saw HSS 220 mm / B40 | 1619.2200 | 2 |
| | H-saw HSS 270 mm / B40 | 1619.2700 | 2 |
| | H-saw HSS 320 mm / B40 | 1619.3200 | 2 |
| | H-saw HSS 355 mm / B40 | 1619.3550 | 2 |
| H-saw HSS 404 mm / B40 | 1619.4040 | 2 | |

