

# TONISCO® Service

## HOT TAPPING SOLUTIONS FOR LARGE SCALE CONNECTIONS UNDER PRESSURE

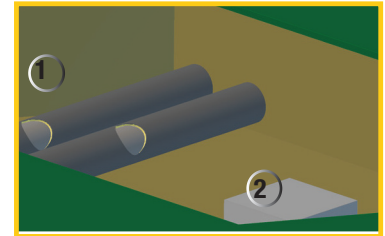
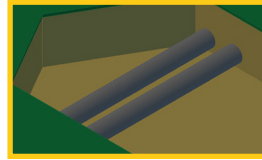
The Safest, Fastest & most Cost-Effective way to make big hot tapping outlets in weldable district heating and cooling systems.

### TONISCO® SERVICE WILL ORGANIZE THE HOT TAPPING PROCESS ACCORDING THE NEEDS OF THE CUSTOMER

The process starts by carrying out the excavation works and building the base for the shut-off valves. The customer can use local construction company or a service partner can organize it.

**STEP 1.** Removing of the insulation from the place where the customer wants the new line to be connected.

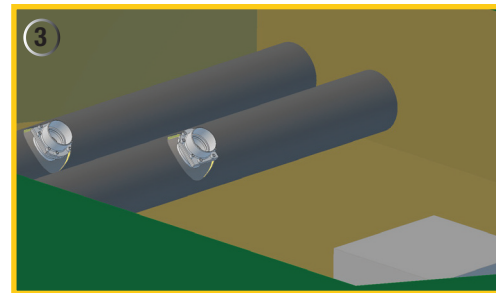
**STEP 2.** Choosing the location of the shut-off valves



### WELDING OF THE TONISCO® HOT TAPPING VALVES TO THE MAIN

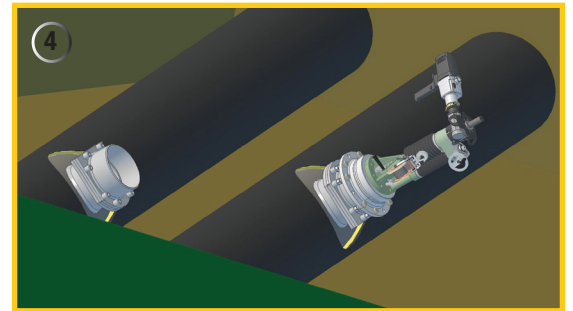
**STEP 3.** Welding of the TONISCO valves to the mainline. The customer ensures that all necessary tests will be done to ensure that the welds fulfill all the requirements needed.

After the valves are welded in place the partner will start preparing the new line that will be connected to the TONISCO® Hot tapping valve.



### HOT TAPPING THROUGH THE TONISCO® HOT TAPPING VALVE

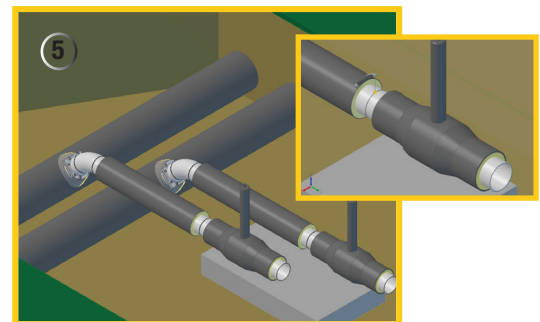
**STEP 4.** TONISCO® Service will carry out the Hot tapplings and insert the sluice plates after the drilling is through. TONISCO® Service will carry out a pressure test for the welding seams before starting the hot tapping process.



### WELDING OF THE NEW CONNECTION AND THE SHUT-OFF VALVE

**STEP 5.** After the hot tapping process the customer will connect the prefabricated and preinsulated new line with the preinsulated Shut-Off valves to the TONISCO® Hot tapping Valve by welding.

TONISCO® hot tapping valves are designed to be used only once. After the new line is completed by hot tapping the sluice plate will be removed and the controlling opening welded shut. As a result there will be a new completely welded outlet



**RESULT: THE CUSTOMER HAS A WELDED NEW OUTLET READY TO BE CONNECTED TO A NEW SYSTEM SIMPLY BY OPENING THE SHUT-OFF VALVE**

#### TONISCO® SERVICE WILL TAKE CARE OF:

- Planning of the hot tapping work
- Delivery of the hot tapping valves and components
- Hot tapping works



#### CUSTOMER COMPANY WILL TAKE CARE OF:

- Organising of the worksite and the digging of the excavation
- All the welding works and testing
- Welding works until the pre-insulated Shut-off valve

#### BENEFITS OF THE SOLUTION FOR THE CUSTOMER

##### TONISCO® Under pressure solution:

- Causes no disturbance for the existing network
- Adds flexibility for the building project due to the use of standard Shut-Off valves
- Saves money, time and environment
- Energy and cost effective solution to build and connect new pipe lines to existing networks